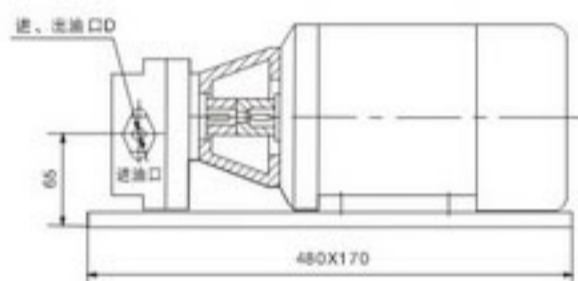
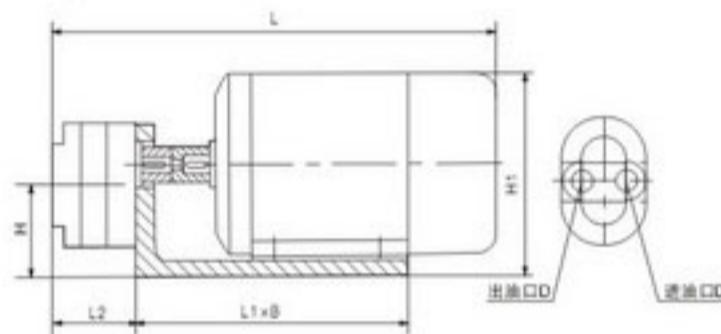




性能参数及安装尺寸 Technical parameters and mounting dimensions table



WCB30-75安装尺寸图
WCB30-75 mounting dimension drawing



S10-125安装尺寸图
S10-125 mounting dimension drawing

用途与特征 Application and features

WCB、S型输油泵能将粘度为1-8°E 清洁的中性油液(例如：机油、煤油、柴油等矿物和各種植物油)从一容器输送到另一容器内。它能提高工作效率、减轻劳动强度，因此，适合商业、工业、农业等行业作输油之用。泵配带软管接头。

WCB、S oil pump can carry the pure and neutral oil (e. G: engine oil, kerosene, diesel fuel, etc and various plant oils) with the viscosity of 1-8° E from one container to another, it can improve the working efficiency, reduce the labor strength, therefore, it's suitable for the oil transportation in commerce, industry, agriculture and so on.

安装尺寸 Mounting dimension

型号 Model	流量 L/min Capacity	扬程 m.H2O Total head	配用电机 型号 Motor	功率 Power	H	L	L1	B	H1	L2	胶管内径 D Pipe diameter
WCB 30	30	30	C02 8012	220V 370W	-	-	-	165	215	-	20
WCB 50	50	30	C02 8022	220V 550W	-	-	-	165	215	-	20
WCB 75	75	30	C02 8032	220V 750W	-	-	-	165	215	-	25
S-10	10	15	C02 7124	220V 180W	71	360	220	140	195	64	10
S-25	25	15	C02 8024	220V 370W	74	425	250	160	215	84	20
S-50	50	15	Y90S-4 YL90S-4	380V 1.1KW 220V 1.1KW	79	460	270	180	205	98	25
S-125	125	15	Y100L1-4	380V 2.2KW	86	565	340	205	265	124	32